

Reciprocating Saw

I. Competencies

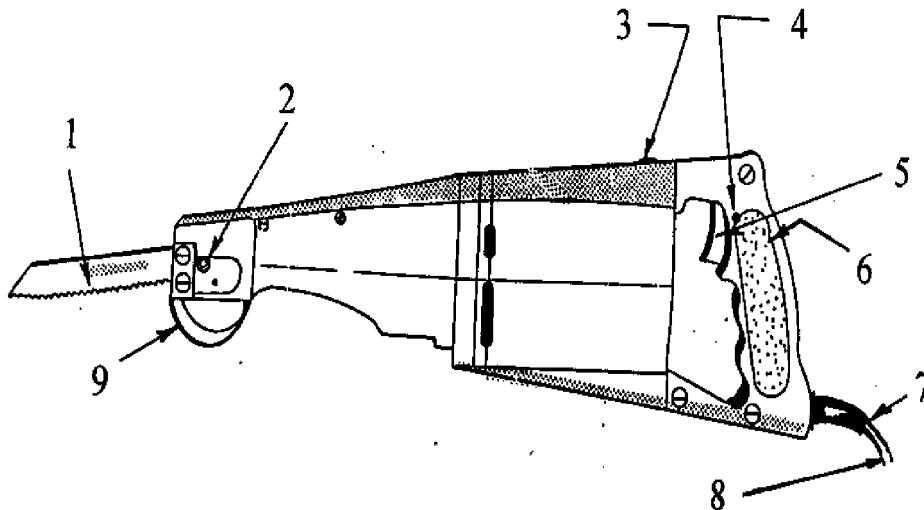
Given a properly adjusted reciprocating saw, accessories, instruction and demonstration of use, each student will be able to:

- A. Identify the major parts of the reciprocating saw.
- B. Pass a written test on safety and operating procedures of the reciprocating saw with 100 percent accuracy.
- C. Demonstrate ability to use the reciprocating saw, following suggested safety rules and correct operation procedures.

II. Instructional Materials and Procedures

A. Identification of basic reciprocating saw parts.

- | | |
|--------------------|-------------------------|
| 1. Blade | 6. Handle |
| 2. Blade Set Screw | 7. Cord Strain Reliever |
| 3. Brushes | 8. Electrical Cord |
| 4. Switch Lock | 9. Rocker Shoe |
| 5. Off/On Switch | |



B. Reciprocating Saw Safety

1. Wear eye protection at all times when using the reciprocating saw.
2. Keep the electrical cord out of the way of the cut being made.
3. Hold the saw firmly with both hands when making cuts. This saw will vibrate a lot during operation and must be held tightly to keep the cut on line and to avoid being dropped during operation.
4. Do not operate close to other workers since the saw vibrates a lot and because the blade on this saw is unguarded.
5. Secure the material being cut with the reciprocating saw.
6. Do not bind or pinch the blade when making cuts with the reciprocating saw. Binding the blade may cause the blade to break or possibly jerk the saw from the user's hands.

C. Operating Procedures

1. Locate yourself in a good steady position prior to making cuts with the reciprocating saw.
2. If the reciprocating saw has a variable speed control, set on fast speed for cutting wood and on slow speed for cutting metals.
3. Select the correct blade for the type of material being cut with the reciprocating saw.
4. Place the rocker shoe against the work when cutting with the reciprocating saw.
5. Do not place excessive pressure on the saw while cutting and become over balanced.
6. If the saw requires excessive pressure to cut, it is in need of a new blade. Change the blade before continuing to use the saw.
7. To make a plunge cut (internal cut) with the reciprocating saw place the rocker shoe on the material and tilt the saw forward slowly until the blade cuts through the material. Too much forward pressure will usually cause the blade to break prematurely.

8. Keep a good supply of blades on hand for the reciprocating saw as it will break blades frequently.