

Finishing Sander

I. Competencies

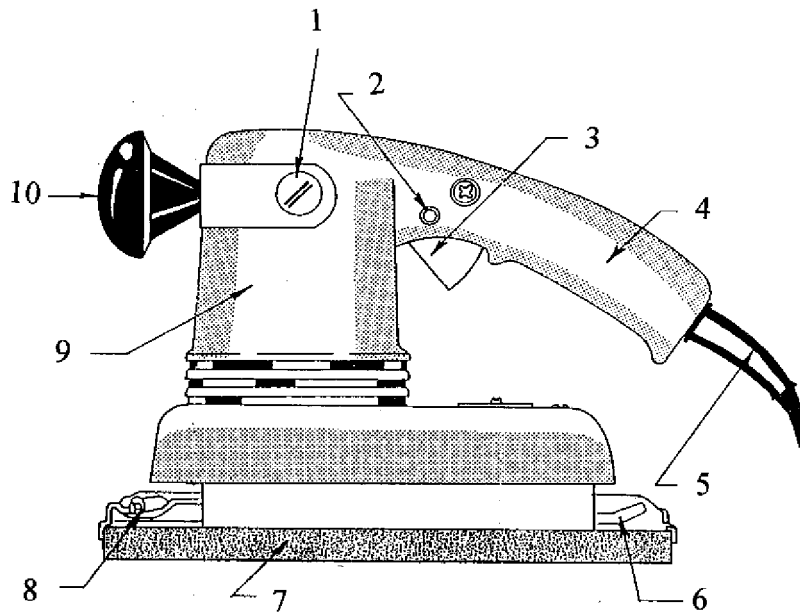
Given a properly adjusted finishing sander, accessories, instruction and demonstration of use, each student will be able to:

- A. Identify the major parts of the finishing sander.
- B. Pass a written test on safety and operating procedures of the finishing sander with 100 percent accuracy.
- C. Demonstrate ability to use the finishing sander, following suggested safety rules and correct operation procedures.

II. Instructional Materials and Procedures

A. Identification of basic finishing sander parts.

- | | |
|-------------------------|---------------------|
| 1. Brush Holder | 6. Paper Clamp |
| 2. Switch Lock | 7. Pad |
| 3. Trigger Switch | 8. Paper Clamp |
| 4. Handle | 9. Aluminum Housing |
| 5. Cord Strain Reliever | 10. Front Hand Knob |



B. Finishing Sander Safety

1. Wear safety glasses at all times when using the finishing sander.
2. Wear a dust mask or respirator to prevent breathing the fine saw dust particles that are generated by the finishing sander.
3. Keep the electrical and extension cords away from the work area.
4. Wear hearing protectors when using finishing sanders that are noisy.
5. Secure or clamp the stock before starting the sanding operation.
6. Watch out for slick walking surfaces when using the finishing sander. Fine dust particles will settle on the floor making it slick.
7. Visually inspect the sander to make sure the electrical cord is not frayed or pulled out of the sander housing. If either condition exists repair the sander before using.
8. If the sander sparks excessively when being used check the brushes. Reseat or replace the brushes as necessary to reduce sparking.
9. Do not over-extend and get off balance when using the finishing sander.
10. If the sander has a metal housing make sure the electrical cord has a functional grounding terminal (round). If the grounding terminal has been cut off do not use the sander until the plug has been replaced.

C. Operating Procedures

1. Cut sand paper sheets in one third, one half, or on quarter as needed to fit the finishing sander pad you are using.
2. Mount the sand paper under the paper clamps on the sander pad. A tight fit will help to get longer sand paper life.
3. Hold the finishing sander over the stock, turn it on and allow it to reach full operating speed before starting the sanding operation.
4. Place the sander on the material and move it back and forth along the grain of the wood.
5. Do not apply additional down pressure on the sander when sanding. The weight of the sander creates sufficient sanding pressure for most applications.

6. If the finishing sander has a dust bag it should be emptied often for most efficient operation.
7. Start the sanding operation with coarse sand paper, then move to medium grit paper, and finish the sanding operation with a fine grit paper.
8. When finishing the sanding operation raise the sander off the stock and turn the switch off.